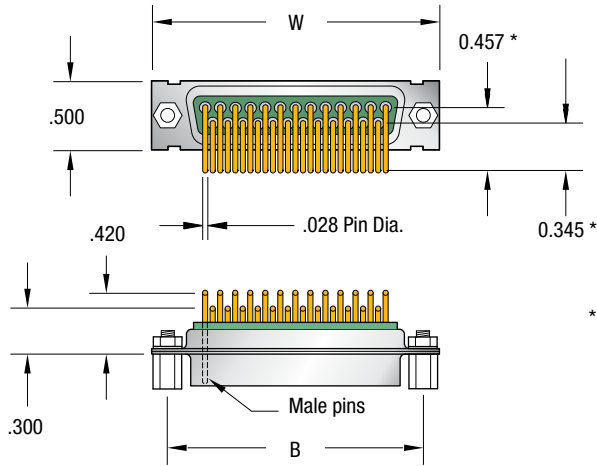
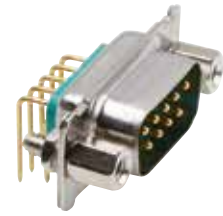


High Vacuum PCB Connectors

HV PCB Connectors are made of DAP and are designed to be soldered directly to Printed Circuit Boards.



* Solder pins are the same length for all connectors.



111100 / Male, 9-pin HV PCB Connector



111101 / Male, 15-pin HV PCB Connector



111102 / Male, 25-pin HV PCB Connector

PCB Connectors — 125°C / HV to 1x10⁻⁸ Torr

Number Contacts	Connector		Model Number	Part Number	Unit Price \$
	Gender	W x H x D			

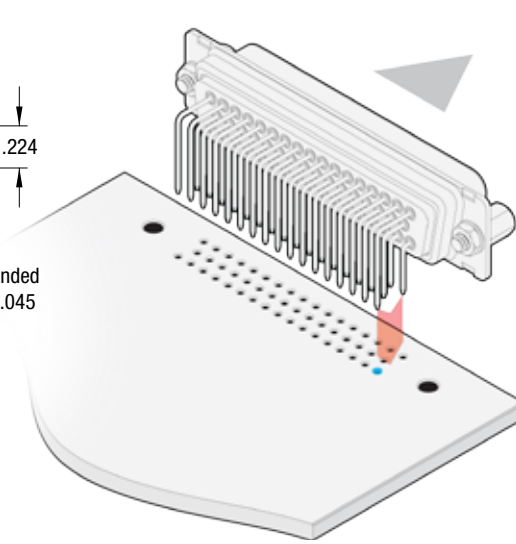
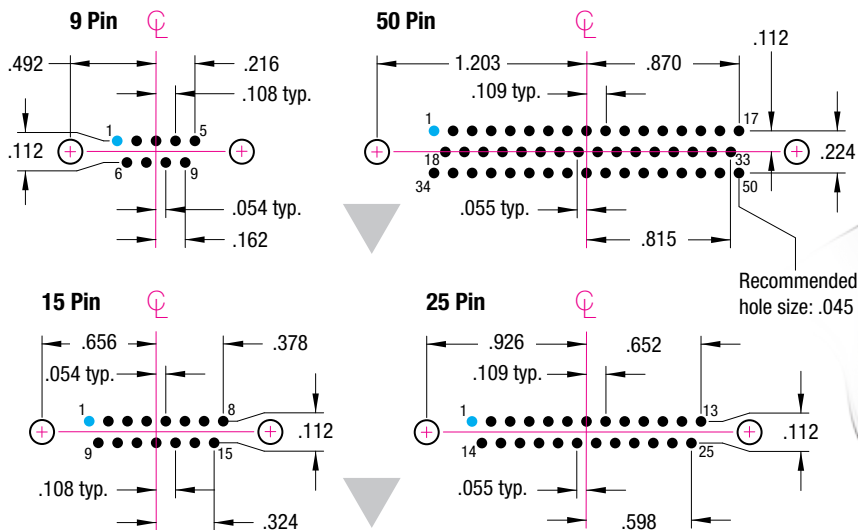
PCB Connectors — Male

9	M	1.22 x 0.50 x 0.68	0.984	9D-HVPCBP	111100	95
15	M	1.55 x 0.50 x 0.68	1.312	15D-HVPCBP	111101	105
25	M	2.09 x 0.50 x 0.68	1.852	25D-HVPCBP	111102	140
50	M	2.64 x 0.60 x 0.78	2.406	50D-HVPCBP	112657	210

90° Printed Circuit Board Contact Hole Pattern

Hole identification shown for male connectors above.

Mount connector with mating face positioned to follow direction of arrows.



50-Pin Connector Depicted

Instrumentation