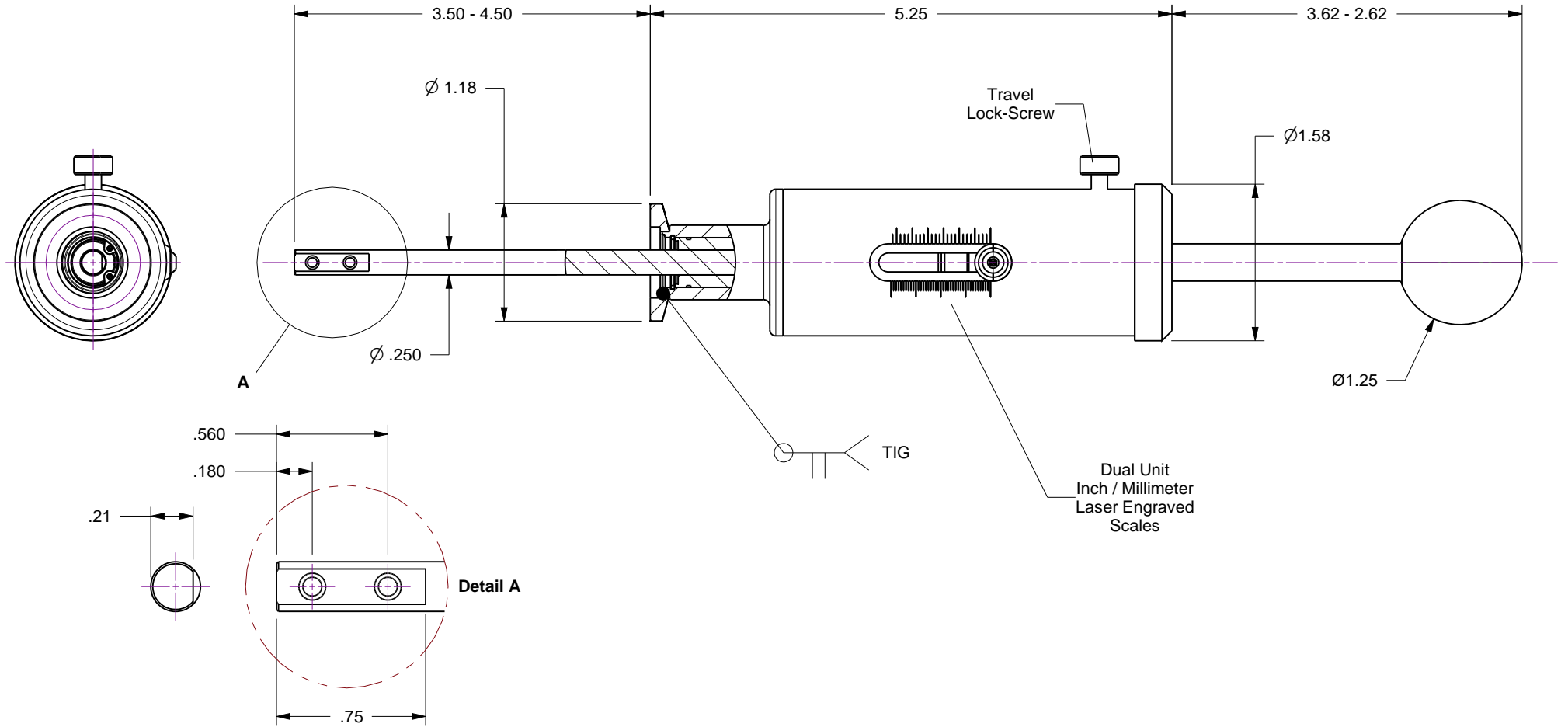


Notes

- 1. 1 Inch, Manual linear travel
- 2. Leak test to 5x10E-10 Standard cc/sec of He.
- 3. Protect flange seal surface from damage.
- 4. Black anodized aluminum body.
- 5. Resolution : .025 Inch Scale / 1mm Metric Scale

| Rev | Description | Date |
|-----|-----------------|------|
| A | Initial Release | |



Accu-Glass Products Inc.
 25047 Anza Drive
 Valencia, CA 91355
 T 818-365-4215
 F 818-365-7074
 www.accuglassproducts.com

UNCONTROLLED WEB DRAWING

Proprietary and Confidential
 The information contained in this drawing is the sole property of Accu-Glass, Products Inc. Any reproduction, in part or as whole, without the written permission of Accu-Glass Products, Inc., is strictly prohibited.

| | |
|---|---------------|
| Material See Individual Components | |
| Tolerances, unless otherwise specified | |
| .X ± .030 | Angles ± 0.5° |
| .XX ± .010 | Finish 63Ra |
| .XXX ± .005 | |

| | | | |
|---|---------------------|-------------------|------------------|
| Title Linear Feedthrough, 1 Inch Push-Pull on ISO NW16 KF | | | |
| Drawn by Date | Ligeti 5/19/2014 | No. 112055 | Rev. A |
| Approved | | | Sheet |