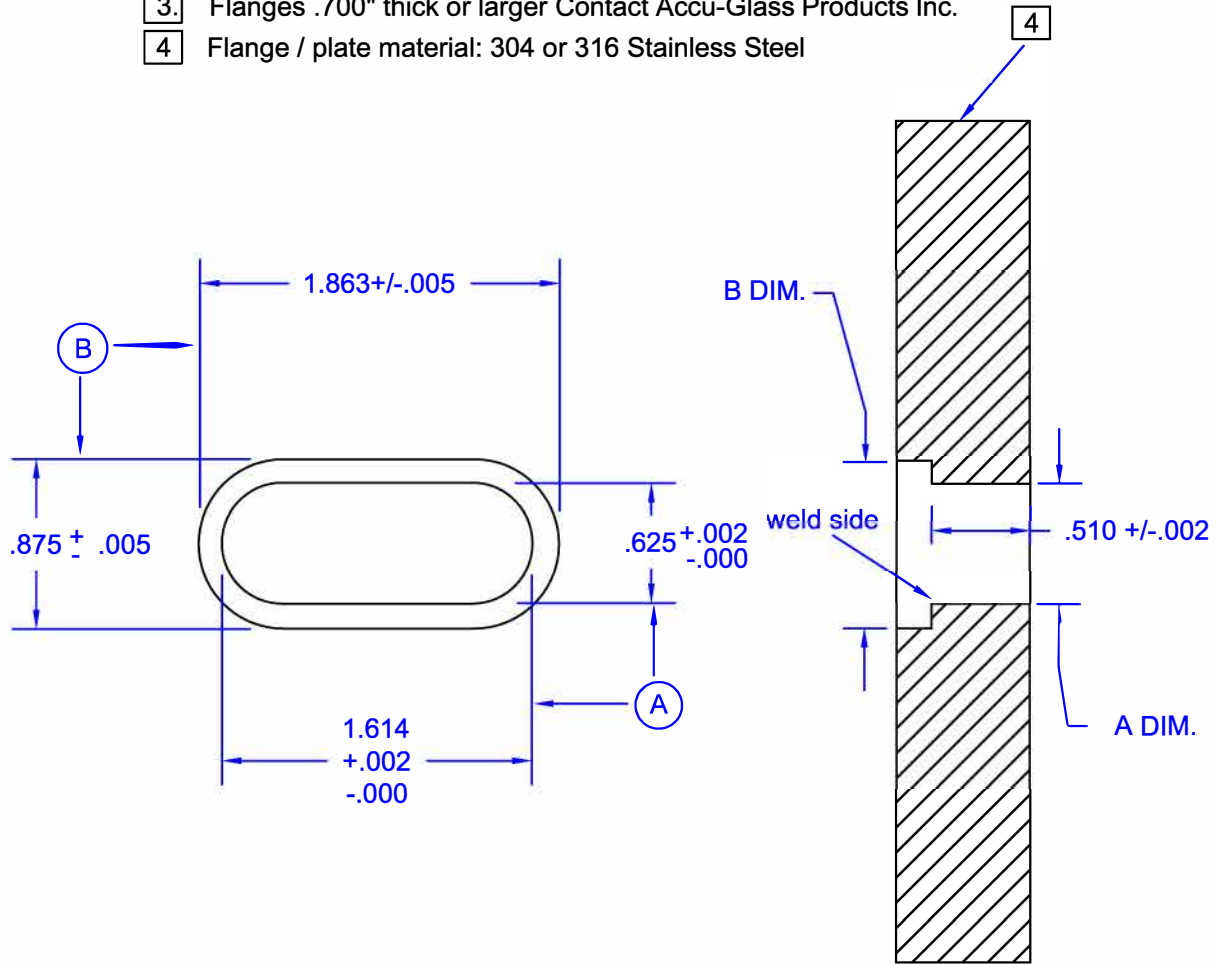
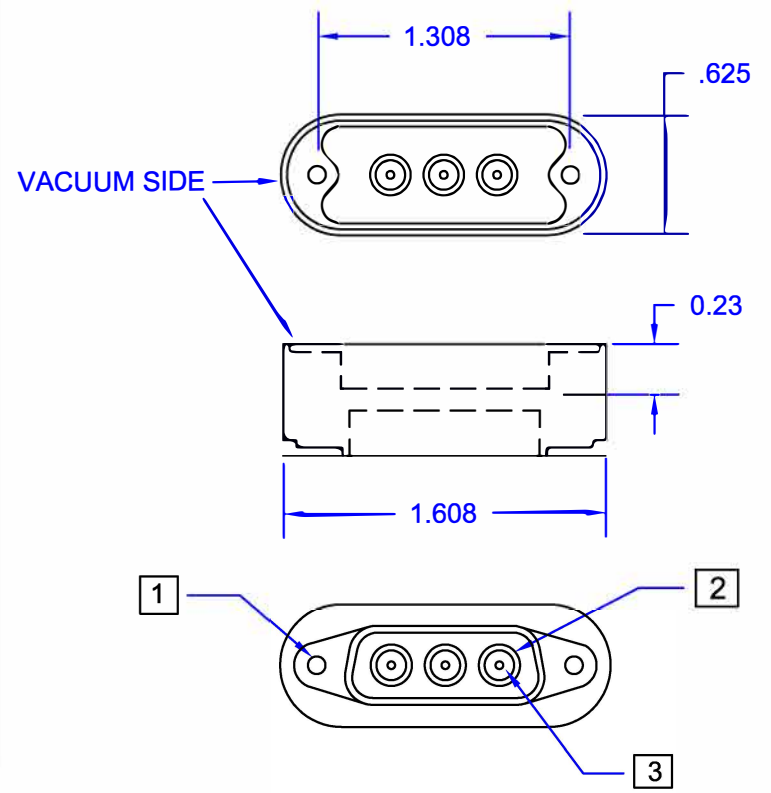


- NOTES :
- 1. B Dim. not needed for flanges / plates less than .500" thick.
  - 2. Space required between connectors : 3 pin coaxial D-Type = .250
  - 3. Flanges .700" thick or larger Contact Accu-Glass Products Inc.
  - 4. Flange / plate material: 304 or 316 Stainless Steel



REVISIONS			
REV	DESCRIPTION	DATE	APPROVED

- 1 4-40 UNC Thread 4 plcs.
- 2 0.153 Dia TYP. body conductor
- 3 0.040 Pin Dia TYP. center conductor



**Accu-Glass Products Inc.**  
 25047 Anza Drive  
 Valencia, CA 91355  
 TEL 818-365-4215  
 FAX 818-365-7074  
 accuglassproducts.com

Notes :

**\* UNCONTROLLED WEB COPY \***

Material  
**304 Stainless Steel**

Tolerances unless otherwise specified

Decimal	Angular
.xx= +/- .005	+/- 1°
.xxx= +/- .002	

Title  
**3 Pin Coaxial Sub-D Feedthrough**

Drawn By	M.Wilson	DWG NO.	<b>EAG-3CX</b>	Date	<b>1-3-97</b>
Approved				Cage Code : 4HCQ8	