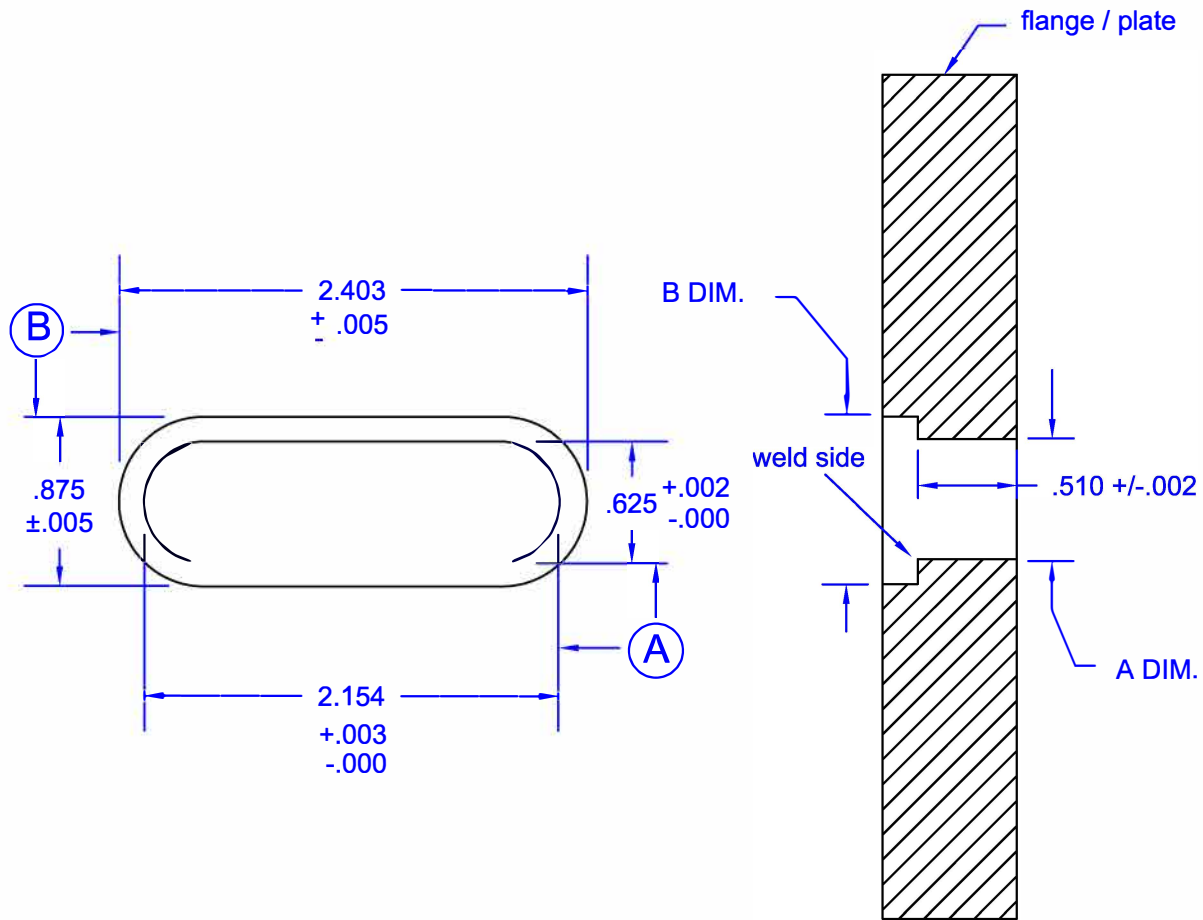
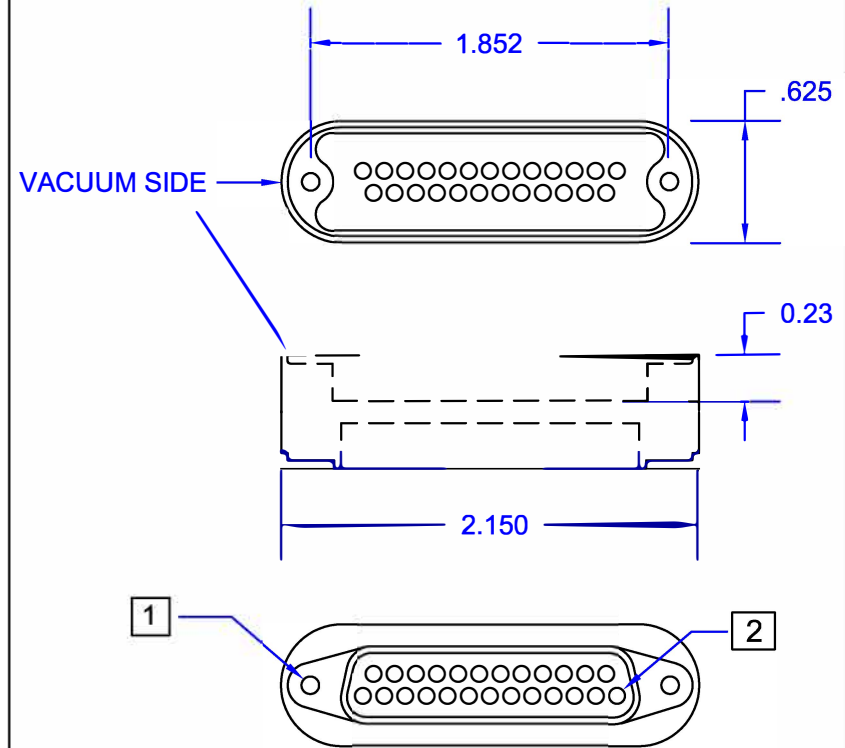


- NOTES : 1. B Dim. not needed for flanges / plates less than .500 thick.  
 2. Space required between connectors : 25 pin = .250  
 3. Flanges .700" thick or larger Contact Accu-Glass Products Inc.

REVISIONS			
REV	DESCRIPTION	DATE	APPROVED



- 1 4-40 UNC Thread Both sides.
- 2 0.040 Pin Dia TYP.



Accu-Glass Products Inc.  
 25047 Anza Drive  
 Valencia, CA 91355  
 TEL 818-365-4215  
 FAX 818-365-7074  
 accuglassproducts.com

Notes :

**\* UNCONTROLLED WEB COPY \***

Material <b>304 SS</b>	
Tolerances unless otherwise specified	
Decimal .xx= +/- .005 .xxx= +/- .002	Angular +/- 1°

Title <b>25 Pin Sub-D Feedthrough</b>			
Drawn By M.Wilson	DWG NO. <b>EAG-25D</b>	Date 7-12-07	
Approved		Cage Code : 4HCQ8	